

Mobile Fuel Filtration

035-RAC Series

Water and contaminants in fuel have been a problem for decades. More than ever, today's high performance engines require clean, dry fuel. Standard fuel filters simply don't offer the improved features and peace-of-mind that comes with Racor strainer/prefilters. A complete range of cleanable in-line prescreen products are available to fit virtually any application.

These compact, heavy-duty strainer/prefilters install quickly and remove solid contaminants from gasoline and diesel fuel. They feature a 116 micron screen, a fuel shut-off valve and heat resistant clear bowls. Typical applications for the 035-RAC Series includes: small gensets, small tractors, snow machines, lawn mowers, pressure washers and small diesel engines up to 50 HP.



035-RAC-154



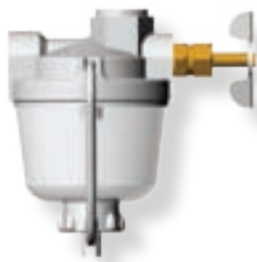
035-RAC-157



035-RAC-159



035-RAC-191



035-RAC-192



035-RAC-193



035-RAC-194

Parker Hannifin Corporation
Racor Division
PO Box 3208
Modesto, CA 95354 USA
Phone: 800.344.3286
Fax: 209.529.3278
E-mail: racor@parker.com

Visit our website at:
www.parker.com/racor



1

2

3

4

5

6

7

8

9

10

11

12

13

14

Mobile Fuel Filtration

035-RAC Series



Specifications	035-RAC-154	035-RAC-157	035-RAC-159
Maximum Flow Rate	25 GPH (94 LPH)	25 GPH (94 LPH)	25 GPH (94 LPH)
Fuel Type: Diesel Gasoline	Yes Yes	Yes Yes	Yes Yes
Port Size: Inlet Outlet	1/8"-27 NPTF 1/8"-27 NPTF	3/8"-18 NPTF 1/8"-27 NPTF	3/8"-18 NPTF 1/8"-27 NPTF
Number of Ports: Inlets Outlets	1 1	1 2	1 1
Micron Rating (nominal)	116	116	116
Nylon Filter Screen	RK17007	RK17007	RK17007
Height	4.4 in. (11.2 cm)	4.8 in. (12.2 cm)	4.7 in. (11.9 cm)
Width	2.6 in (6.6 cm)	2.6 in (6.6 cm)	2.6 in (6.6 cm)
Depth	3.3 in (8.4 cm)	3.3 in (8.4 cm)	3.3 in (8.4 cm)
Weight (dry)	0.7 lb (0.32 kg)	0.7 lb (0.32 kg)	0.7 lb (0.32 kg)
Min. Service Clearance	1.0 in. (2.5 cm)	1.0 in. (2.5 cm)	1.0 in. (2.5 cm)
Maximum Pressure ¹	N/A	N/A	N/A
Differential Pressure	0.25 PSI (0.02 bar)	0.25 PSI (0.02 bar)	0.25 PSI (0.02 bar)
Operating Temperature	-10° to +180°F / -23° to +82°C		
¹ Install in vacuum (or suction) applications. Do not use in pressure applications.			

Mobile Fuel Filtration

035-RAC Series



Specifications	035-RAC-191	035-RAC-192	035-RAC-193	035-RAC-194
Maximum Flow Rate	25 GPH (94 LPH)	25 GPH (94 LPH)	25 GPH (94 LPH)	25 GPH (94 LPH)
Fuel Type:				
Diesel	Yes	Yes	Yes	Yes
Gasoline	Yes	Yes	Yes	Yes
Port Size:				
Inlet	3/8"-18 NPTF	1/8"-27 NPTF	3/8"-18 NPTF	3/8"-18 NPTF
Outlet	1/8"-27 NPTF	1/8"-27 NPTF	1/8"-27 NPTF	1/8"-27 NPTF
Number of Ports:				
Inlets	1	1	2	2
Outlets	1	1	1	1
Micron Rating (nominal)	116	116	116	116
Brass Filter Screen	RK17004	RK17004	RK17004	N/A
Nylon Filter Screen	N/A	N/A	N/A	RK17011
Height	3.9 in. (9.9 cm)	3.2 in. (8.1 cm)	3.6 in. (9.1 cm)	3.6 in. (9.1 cm)
Width	2.5 in. (6.4 cm)	2.5 in. (6.4 cm)	2.5 in. (6.4 cm)	2.5 in. (6.4 cm)
Depth	3.3 in. (8.4 cm)	3.3 in. (8.4 cm)	3.3 in. (8.4 cm)	3.3 in. (8.4 cm)
Weight (dry)	0.4 lb (0.18 kg)	0.4 lb (0.18 kg)	0.4 lb (0.18 kg)	0.4 lb (0.18 kg)
Min. Service Clearance	1.0 in. (2.5 cm)	1.0 in. (2.5 cm)	1.0 in. (2.5 cm)	1.0 in. (2.5 cm)
Maximum Pressure ¹	N/A	N/A	N/A	N/A
Differential Pressure	0.25 PSI (0.02 bar)	0.25 PSI (0.02 bar)	0.25 PSI (0.02 bar)	0.25 PSI (0.02 bar)
Operating Temperature	-10° to +180°F / -23° to +82°C			
¹ Install in vacuum (or suction) applications. Do not use in pressure applications.				

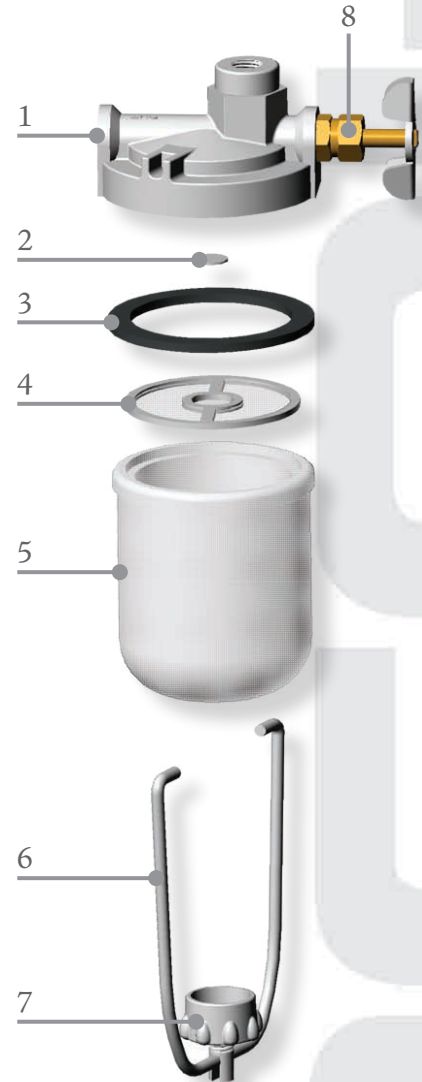
Mobile Fuel Filtration

035-RAC Series

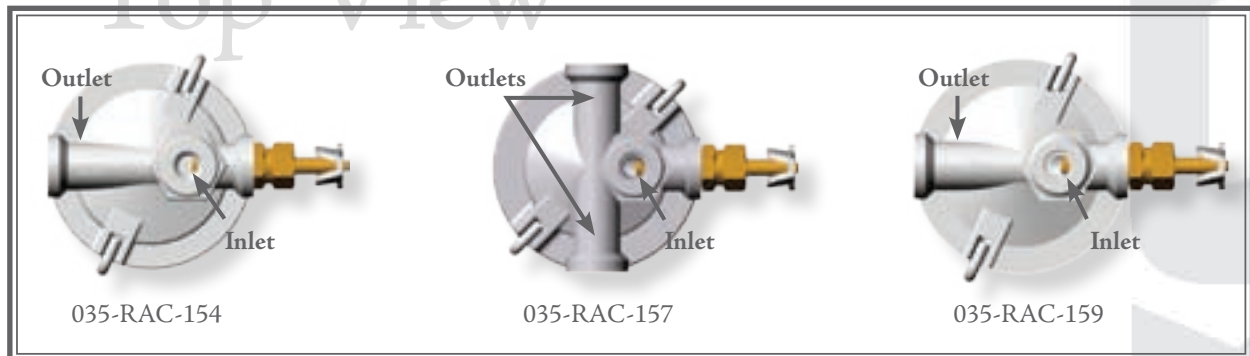
Replacement Parts

035-RAC-154 (shown), 035-RAC-157 and 035-RAC-159

<u>Part Number</u>	<u>Description</u>
1. Mounting Head Kits	
RK17023	For 035-RAC-154
RK17028	For 035-RAC-157
RK17034	For 035-RAC-159
2. RK17019	Plate Baffle Kit
3. RK17027	Gasket Kit
4. RK17007	Nylon Screen Kit (116 Micron)
5. RK17000	Clear Bowl Kit
6. RK17009	Bail Assembly Kit
7. RK17006	Bail Nut Kit
8. RK17010	Valve Assembly Kit



Top View



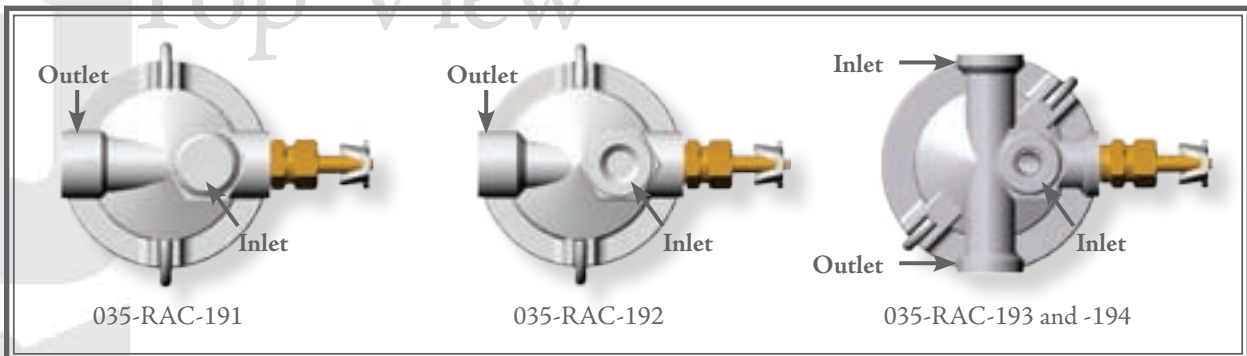
Mobile Fuel Filtration

035-RAC Series

Replacement Parts

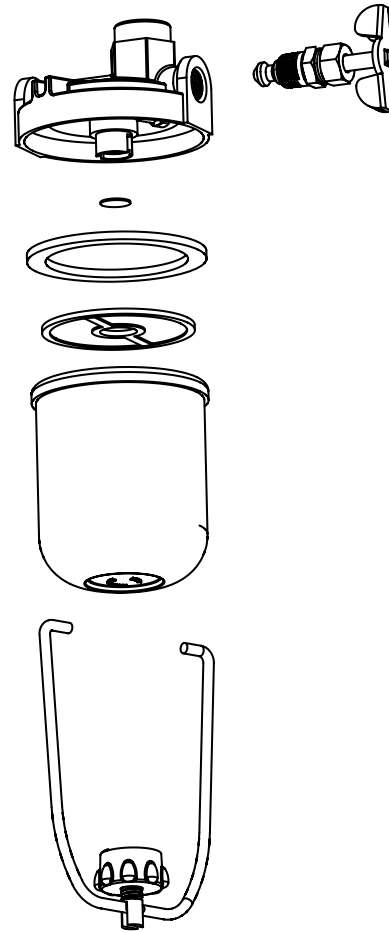
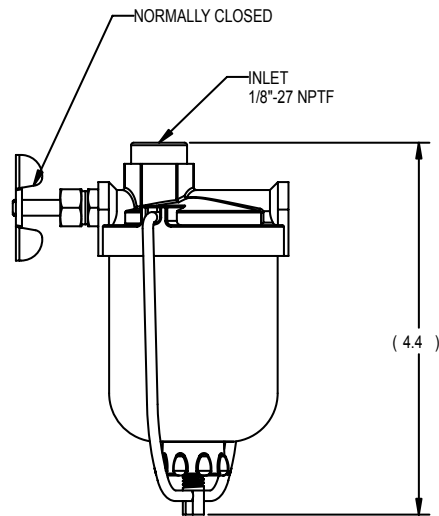
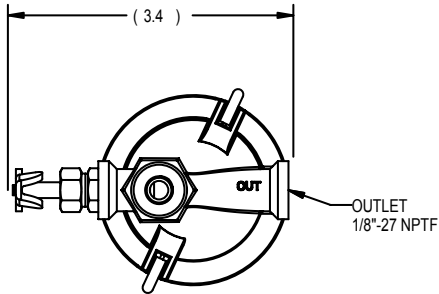
035-RAC-191 (shown), 035-RAC-192, 035-RAC-193 and 035-RAC-194

Part Number	Description
1. Mounting Head Kits	
RK17032	For 035-RAC-191
RK17030	For 035-RAC-192
RK17035	For 035-RAC-193
RK17035	For 035-RAC-194
2. RK17021	Plate Baffle Kit
3. RK17005	Gasket Kit
4. RK17004	Brass Screen Kit (116 Micron)
RK17011	Nylon Screen Kit (116 Micron)
5. RK17001	Clear Bowl Kit
6. RK17008	Bail Assembly Kit
7. RK17006	Bail Nut Kit
8. RK17010	Valve Assembly Kit



Customer Interface Drawing

REVISIONS					
LTR	DESCRIPTION	E. N.	DATE	DRN	CHK
-	DRAWING RELEASE	----	090902	SC	RH



NOTES: UNLESS OTHERWISE SPECIFIED-

- DIMENSIONS GIVEN REPRESENT NOMINAL VALUES AND ARE FOR REFERENCE ONLY.
- SPECIFICATIONS:
 - HEAD: ZINC/ALUMINUM ALLOY WITH BRASS PRESSED IN FLOW DIVERTER.
 - BOWL: HEAT RESISTANT GLASS.
 - MEDIA: SCREEN NYLON, 116 MICRON.
 - GASKET: BLACK FLUORO CARBON (FKM)
 - VALVE: DOUBLE SHUT-OFF VALVE ASSEMBLY HOUSING AND STEM:BRASS
- PACKAGING: STANDARD IS SINGLE CARTON OR DIVIDER AND PACKAGED INTO A CASE QUANTITY OF SIX (6).
- FOR REFERENCE ONLY: DAYCO P/N 154-J03498000

CUSTOMER APPROVAL REQUIRED

THIS DOCUMENT MUST BE REVIEWED FOR CONFORMANCE, SIGNED, DATED AND RETURNED TO RACOR PROMPTLY

SIGNATURE _____ DATE _____

CUSTOMER INTERFACE DRAWING

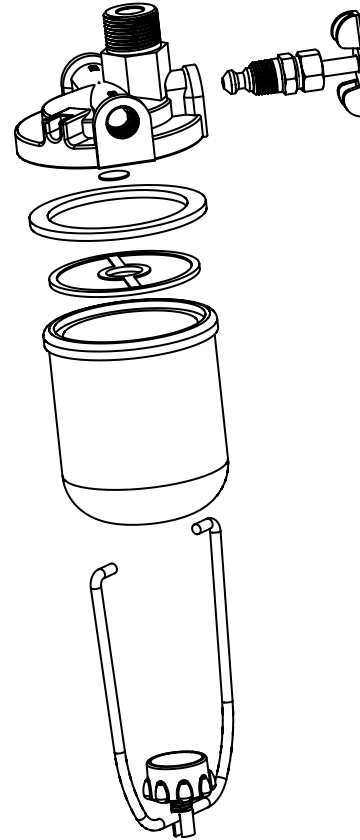
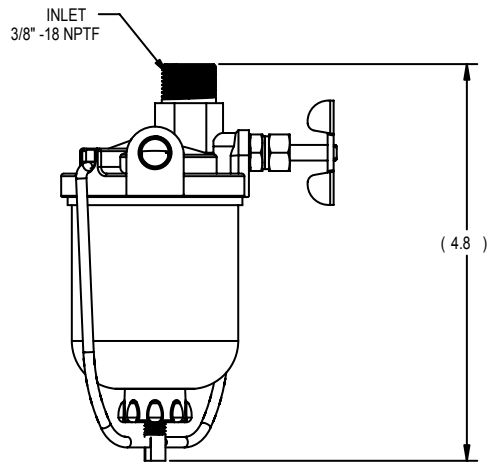
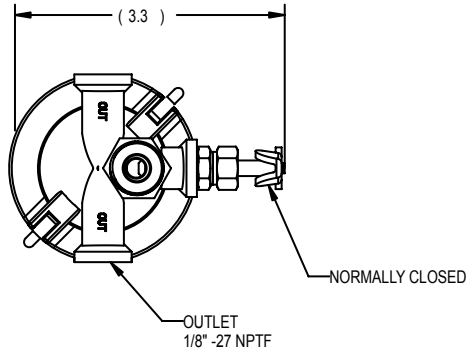
REVISE ONLY ON ProE SYSTEM	
THIS PRINT SUPERSEDES ANY EARLIER DATE; DESTROY SAME	
THIS PRINT AND ALL INFORMATION THEREIN IS OUR PROPERTY; IS CONFIDENTIAL AND MUST NOT BE MADE PUBLIC OR COPIED UNLESS AUTHORIZED BY US; THIS PRINT IS SUBJECT TO RETURN ON DEMAND.	
MATERIAL:	
FINISH:	
NEXT ASSY:	FIRST USED ON:
APPLICATION:	

QUANTITY REQD	PART NUMBER	DESCRIPTION	ITEM NO.
		PARTS LIST	
		PARKER HANNIFIN CORPORATION RACOR DIVISION P.O. BOX 3038 MODOesto, CA 95355	
		TITLE: FUEL FILTER	
		SIZE: C	REV: -
		CODE IDENT NO: 55752	DRWG. NO: 035-RAC-154_CID
		SCALE: 1.000	RELEASE DATE: 090902
		SHEET: 1	OF 1

Rev - Ver 0 Lev WIP

Customer Interface Drawing

REVISIONS					
LTR	DESCRIPTION	E. N.	DATE	DRN	CHK
-	DRAWING RELEASE	----	090902	SC	RH



NOTES: UNLESS OTHERWISE SPECIFIED-

1. DIMENSIONS GIVEN REPRESENT NOMINAL VALUES AND ARE FOR REFERENCE ONLY.
2. SPECIFICATIONS:
 - A. HEAD: ZINC/ALUMINUM ALLOY WITH BRASS PRESSED IN FLOW DIVERTER.
 - B. BOWL: HEAT RESISTANT GLASS.
 - C. MEDIA: SCREEN NYLON, 116 MICRON.
 - D. GASKET: BLACK FLUORO CARBON (FKM)
 - E. VALVE: DOUBLE SHUT-OFF VALVE ASSEMBLY HOUSING AND STEM:BRASS
3. PACKAGING: STANDARD IS SINGLE CARTON OR DIVIDER AND PACKAGED INTO A CASE QUANTITY OF SIX (6).
4. FOR REFERENCE ONLY: DAYCO P/N 157-J04125600

CUSTOMER APPROVAL

REQUIRED
 THIS DOCUMENT MUST BE REVIEWED FOR CONFORMANCE, SIGNED, DATED AND RETURNED TO RACOR PROMPTLY
 SIGNATURE _____ DATE _____

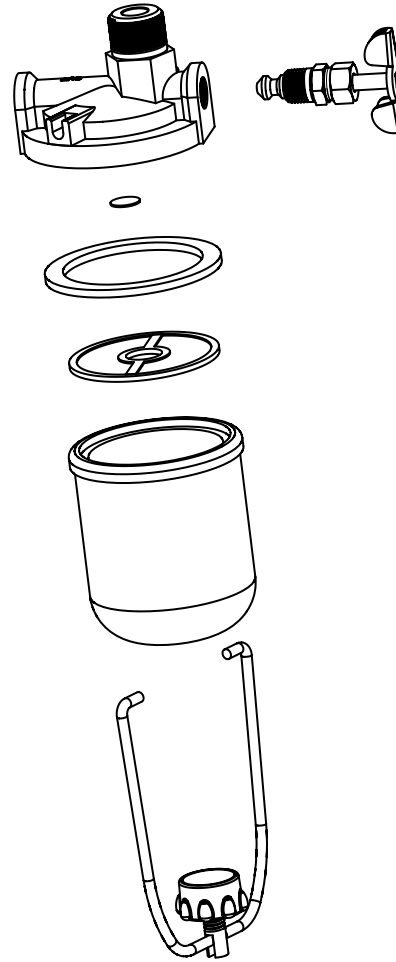
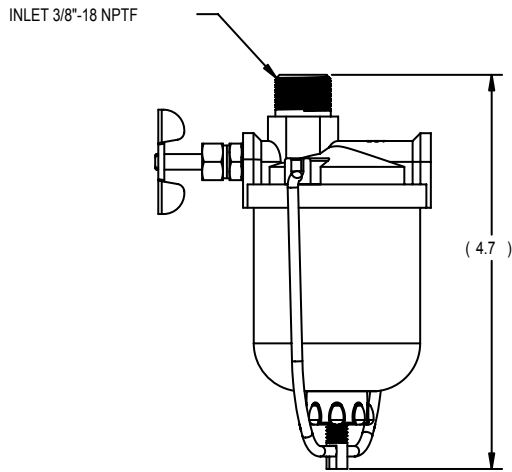
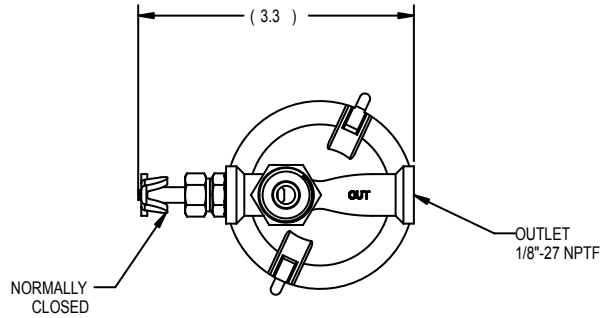
CUSTOMER INTERFACE DRAWING

QUANTITY REQD		PART NUMBER	DESCRIPTION	ITEM NO.
PARTS LIST				
REVISE ONLY ON ProE SYSTEM				
DRAWN		S. CARRILLO	090902	PARKER HANNIFIN CORPORATION RACOR DIVISION P.O. BOX 3208 MODESTO, CA 95353
CHECK		RE HAMILTON	090902	
DESIGN		J.JENKINS	090902	
THIS PRINT SUPERSEDES ANY EARLIER DATE. DESTROY SAME THIS PRINT AND ALL INFORMATION THEREIN IS OUR PROPERTY, IS CONFIDENTIAL AND MUST NOT BE MADE PUBLIC OR COPIED UNLESS AUTHORIZED BY US. THIS PRINT IS SUBJECT TO RETURN ON DEMAND.		MATERIAL: FINISH: NEXT ASSY: FIRST USED ON: APPLICATION:		TITLE <h3 style="text-align: center;">FUEL FILTER</h3> UNLESS OTHERWISE SPECIFIED: DIMENSIONS ARE IN INCHES TOLERANCES DECIMAL ANGULAR .XX± - ± .XXX± - FRACTIONAL ±
SCALE		0.500		REV
DO NOT SCALE DRAWING		RELEASE DATE		090902
SIZE		C 55752		035-RAC-157_CID
SHEET		1 OF 1		1

Rev - Ver - 2 Lev - WIP

Customer Interface Drawing

REVISIONS					
LTR	DESCRIPTION	E. N.	DATE	DRN	CHK
-	DRAWING RELEASE	----	091102	SC	RH



NOTES: UNLESS OTHERWISE SPECIFIED-

- DIMENSIONS GIVEN REPRESENT NOMINAL VALUES AND ARE FOR REFERENCE ONLY.
- SPECIFICATIONS:
 - HEAD: ZINC/ALUMINUM ALLOY WITH BRASS PRESSED IN FLOW DIVERTER.
 - BOWL: HEAT RESISTANT GLASS.
 - MEDIA: SCREEN NYLON, 116 MICRON.
 - GASKET: BLACK FLUORO CARBON (FKM)
 - VALVE: DOUBLE SHUT-OFF VALVE ASSEMBLY HOUSING AND STEM:BRASS
- PACKAGING: STANDARD IS SINGLE CARTON OR DIVIDER AND PACKAGED INTO A CASE QUANTITY OF SIX (6).
- FOR REFERENCE ONLY: DAYCO P/N 159-J04146800

CUSTOMER APPROVAL
REQUIRED
 THIS DOCUMENT MUST BE REVIEWED FOR CONFORMANCE, SIGNED, DATED AND RETURNED TO RACOR PROMPTLY
 SIGNATURE _____ DATE _____

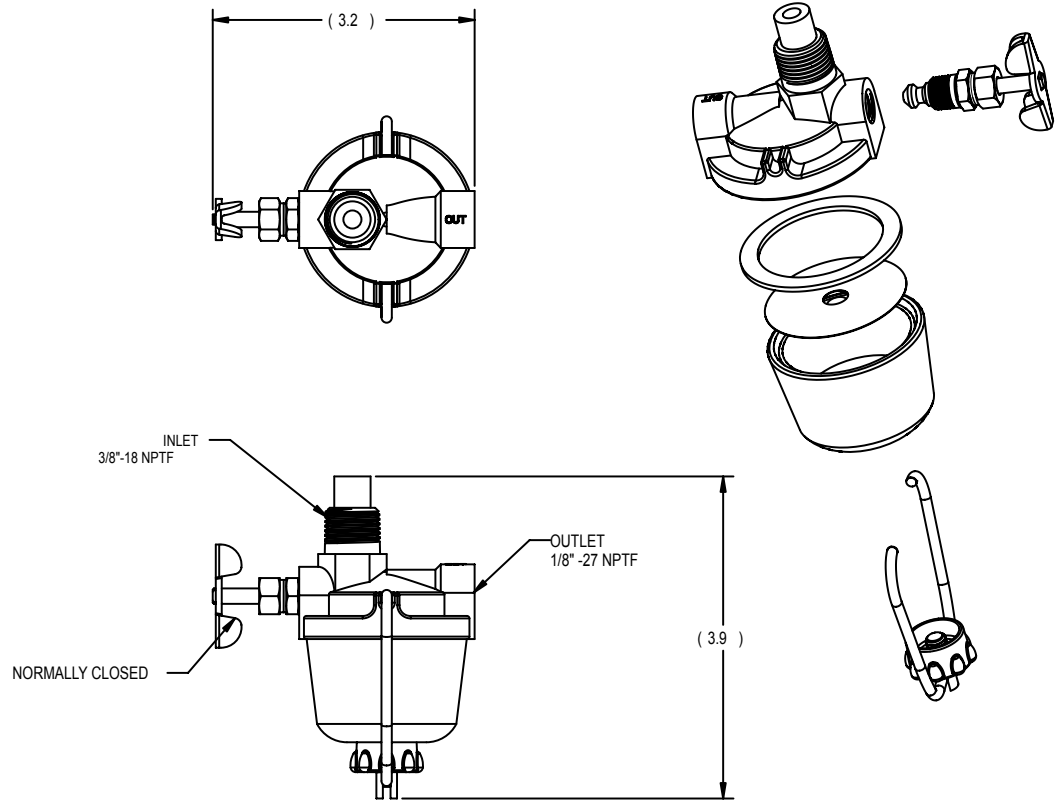
CUSTOMER INTERFACE DRAWING

QUANTITY REQD		PART NUMBER	DESCRIPTION	ITEM NO.																																																		
PARTS LIST																																																						
<table border="1"> <tr> <td colspan="5" style="text-align: center;">REVISE ONLY ON ProE SYSTEM</td> </tr> <tr> <td colspan="5">THIS PRINT SUPERSEDES ANY EARLIER DATE; DESTROY SAME</td> </tr> <tr> <td colspan="2">DRAWN</td> <td>S. CARRILLO</td> <td>091102</td> <td></td> </tr> <tr> <td colspan="2">CHECK</td> <td>RE HAMILTON</td> <td>091102</td> <td></td> </tr> <tr> <td colspan="2">DESIGN</td> <td>J. JENKINS</td> <td>091102</td> <td></td> </tr> <tr> <td colspan="5"> THIS PRINT AND ALL INFORMATION THEREIN IS OUR PROPERTY, IS CONFIDENTIAL AND MUST NOT BE MADE PUBLIC OR COPIED UNLESS AUTHORIZED BY US. THIS PRINT IS SUBJECT TO RETURN ON DEMAND. </td> </tr> <tr> <td colspan="2">MATERIAL:</td> <td colspan="3"></td> </tr> <tr> <td colspan="2">FINISH:</td> <td colspan="3"></td> </tr> <tr> <td colspan="2">NEXT ASSY</td> <td colspan="3">FIRST USED ON</td> </tr> <tr> <td colspan="2">APPLICATION</td> <td colspan="3"></td> </tr> </table>					REVISE ONLY ON ProE SYSTEM					THIS PRINT SUPERSEDES ANY EARLIER DATE; DESTROY SAME					DRAWN		S. CARRILLO	091102		CHECK		RE HAMILTON	091102		DESIGN		J. JENKINS	091102		THIS PRINT AND ALL INFORMATION THEREIN IS OUR PROPERTY, IS CONFIDENTIAL AND MUST NOT BE MADE PUBLIC OR COPIED UNLESS AUTHORIZED BY US. THIS PRINT IS SUBJECT TO RETURN ON DEMAND.					MATERIAL:					FINISH:					NEXT ASSY		FIRST USED ON			APPLICATION				
REVISE ONLY ON ProE SYSTEM																																																						
THIS PRINT SUPERSEDES ANY EARLIER DATE; DESTROY SAME																																																						
DRAWN		S. CARRILLO	091102																																																			
CHECK		RE HAMILTON	091102																																																			
DESIGN		J. JENKINS	091102																																																			
THIS PRINT AND ALL INFORMATION THEREIN IS OUR PROPERTY, IS CONFIDENTIAL AND MUST NOT BE MADE PUBLIC OR COPIED UNLESS AUTHORIZED BY US. THIS PRINT IS SUBJECT TO RETURN ON DEMAND.																																																						
MATERIAL:																																																						
FINISH:																																																						
NEXT ASSY		FIRST USED ON																																																				
APPLICATION																																																						
DRAWN		S. CARRILLO	091102																																																			
CHECK		RE HAMILTON	091102																																																			
DESIGN		J. JENKINS	091102																																																			
<table border="1"> <tr> <td colspan="5">UNLESS OTHERWISE SPECIFIED: DIMENSIONS ARE IN INCHES</td> </tr> <tr> <td colspan="5" style="text-align: center;">TOLERANCES</td> </tr> <tr> <td>DECIMAL</td> <td>ANGULAR</td> <td colspan="3"></td> </tr> <tr> <td>.XX±</td> <td>±</td> <td colspan="3"></td> </tr> <tr> <td>.XXX±</td> <td>±</td> <td colspan="3"></td> </tr> </table>					UNLESS OTHERWISE SPECIFIED: DIMENSIONS ARE IN INCHES					TOLERANCES					DECIMAL	ANGULAR				.XX±	±				.XXX±	±																												
UNLESS OTHERWISE SPECIFIED: DIMENSIONS ARE IN INCHES																																																						
TOLERANCES																																																						
DECIMAL	ANGULAR																																																					
.XX±	±																																																					
.XXX±	±																																																					
RACOR																																																						
PARKER HANNIFIN CORPORATION RACOR DIVISION P.O. BOX 3208 MODESTO, CA 95353																																																						
FUEL FILTER																																																						
SIZE	CODE IDENT NO.	DWG. NO.	REV																																																			
C	55752	035-RAC-159_CID	-																																																			
SCALE		0.500	RELEASE DATE	091102																																																		
SHEET		1	OF 1																																																			

Rev - Ver 2 Lev WIP

Customer Interface Drawing

REVISIONS					
LTR	DESCRIPTION	E. N.	DATE	DRN	CHK
-	DRAWING RELEASE	----	091102	SC	RH



- NOTES: UNLESS OTHERWISE SPECIFIED-
- DIMENSIONS GIVEN REPRESENT NOMINAL VALUES AND ARE FOR REFERENCE ONLY.
 - SPECIFICATIONS:
 - HEAD: ZINC/ALUMINUM ALLOY WITH BRASS PRESSED IN FLOW DIVERTER.
 - BOWL: HEAT RESISTANT GLASS.
 - MEDIA: BRASS SCREEN.
 - GASKET: BLACK FLUORO CARBON (FKM)
 - VALVE: DOUBLE SHUT-OFF VALVE ASSEMBLY HOUSING AND STEM:BRASS
 - PACKAGING: STANDARD IS SINGLE CARTON OR DIVIDER AND PACKAGED INTO A CASE QUANTITY OF SIX (6).
 - FOR REFERENCE ONLY: DAYCO P/N 191-J03422000

CUSTOMER APPROVAL REQUIRED

THIS DOCUMENT MUST BE REVIEWED FOR CONFORMANCE, SIGNED, DATED AND RETURNED TO RACOR PROMPTLY

SIGNATURE _____ DATE _____

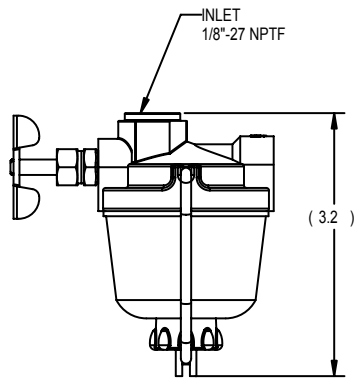
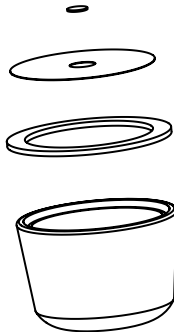
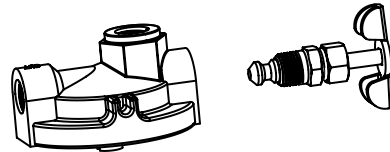
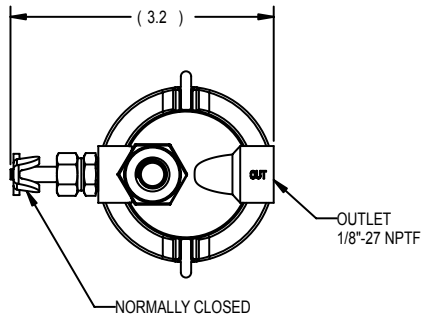
CUSTOMER INTERFACE DRAWING

REVISE ONLY ON ProE SYSTEM		QUANTITY REQD	PART NUMBER	DESCRIPTION	ITEM NO.
THIS PRINT SUPERSEDES ANY EARLIER DATE; DESTROY SAME		PARTS LIST			
THIS PRINT AND ALL INFORMATION THEREIN IS OUR PROPERTY, IS CONFIDENTIAL AND MUST NOT BE MADE PUBLIC OR COPIED UNLESS AUTHORIZED BY US. THIS PRINT IS SUBJECT TO RETURN ON DEMAND.		DRAWN	S. CARRILLO	091102	PARKER HANNIFIN CORPORATION RACOR DIVISION P.O. BOX 3209 MODOESTO, CA 95353
MATERIAL:		CHECK	RE HAMILTON	091102	
FINISH:		DESIGN	J. JENKINS	091102	
NEXT ASSY		TOLERANCES		TITLE	
FIRST USED ON		UNLESS OTHERWISE SPECIFIED: DIMENSIONS ARE IN INCHES:		FUEL FILTER	
APPLICATION		DECIMAL .XX±		SIZE	
		ANGULAR ±		CODE IDENT NO.	
		FRACTIONAL XXX±		DWS. NO.	
		DO NOT SCALE DRAWING		C 55752 035-RAC-191_CID	
		SCALE 1.000		RELEASE DATE 091102	
		SHEET 1 of 1		REV -	

WIP
 Rev 2

Customer Interface Drawing

REVISIONS					
LTR	DESCRIPTION	E. N.	DATE	DRW	CHK
-	DRAWING RELEASE	----	091102	SC	RH



NOTES: UNLESS OTHERWISE SPECIFIED-

- DIMENSIONS GIVEN REPRESENT NOMINAL VALUES AND ARE FOR REFERENCE ONLY.
- SPECIFICATIONS:
 - HEAD: ZINC/ALUMINUM ALLOY WITH BRASS PRESSED IN FLOW DIVERTER.
 - BOWL: HEAT RESISTANT GLASS.
 - MEDIA: BRASS SCREEN.
 - GASKET: BLACK FLUORO CARBON (FKM)
 - VALVE: DOUBLE SHUT-OFF VALVE ASSEMBLY HOUSING AND STEM:BRASS
- PACKAGING: STANDARD IS SINGLE CARTON OR DIVIDER AND PACKAGED INTO A CASE QUANTITY OF SIX (6).
- FOR REFERENCE ONLY: DAYCO P/N 192-J04293500

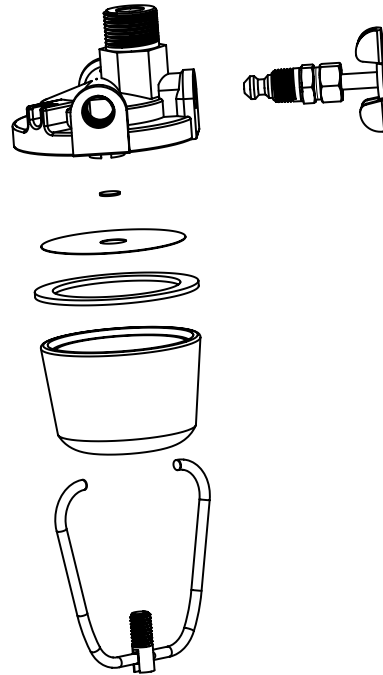
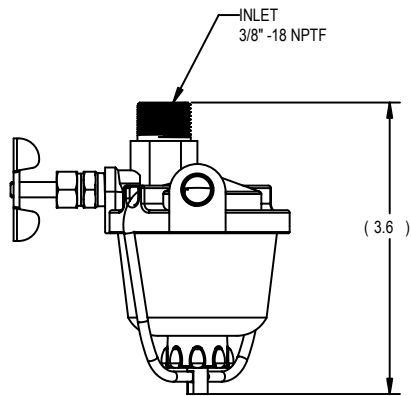
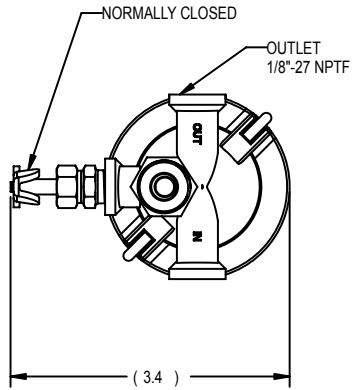
CUSTOMER APPROVAL	
REQUIRED	
THIS DOCUMENT MUST BE REVIEWED FOR CONFORMANCE, SIGNED, DATED AND RETURNED TO RACOR PROMPTLY	
SIGNATURE	DATE

CUSTOMER INTERFACE DRAWING

REVISE ONLY ON ProE SYSTEM		QUANTITY REQD	PART NUMBER	DESCRIPTION	ITEM NO.
THIS PRINT SUPERSEDES ANY EARLIER DATE; DESTROY SAME		PARTS LIST			
THIS PRINT AND ALL INFORMATION THEREIN IS OUR PROPERTY, IS CONFIDENTIAL AND MUST NOT BE MADE PUBLIC OR COPIED UNLESS AUTHORIZED BY US. THIS PRINT IS SUBJECT TO RETURN ON DEMAND.		DRAWN	S. CARRILLO	091102	PARKER HANNIFIN CORPORATION RACOR DIVISION P.O. BOX 3208 MODOESTO, CA 95353
MATERIAL:		CHECK	RE HAMILTON	091102	
FINISH:		DESIGN	J.JENKINS	091102	
NEXT ASSY		TOLERANCES		TITLE	
FIRST USED ON		UNLESS OTHERWISE SPECIFIED: DIMENSIONS ARE IN INCHES:		FUEL FILTER	
APPLICATION		DECIMAL .XX±		SIZE	CODE/ITEM NO.
		ANGULAR ±		C	55752
		FRACTIONAL XXX±		DWS. NO.	035-RAC-192_CID
		DO NOT SCALE DRAWING		SCALE	1.000
				RELEASE DATE	091102
				SHEET	1 of 1

Rev 1 WIP

Customer Interface Drawing



REVISIONS					
LTR	DESCRIPTION	E. N.	DATE	DRN	CHK
-	DRAWING RELEASE	----	091702	SC	RH

NOTES: UNLESS OTHERWISE SPECIFIED-

- DIMENSIONS GIVEN REPRESENT NOMINAL VALUES AND ARE FOR REFERENCE ONLY.
- SPECIFICATIONS:
 - HEAD: ZINC/ALUMINUM ALLOY WITH BRASS PRESSED IN FLOW DIVERTER.
 - BOWL: HEAT RESISTANT GLASS.
 - MEDIA: BRASS SCREEN.
 - GASKET: BLACK FLUORO CARBON (FKM)
 - VALVE: DOUBLE SHUT-OFF VALVE ASSEMBLY HOUSING AND STEM:BRASS
- PACKAGING: STANDARD IS SINGLE CARTON OR DIVIDER AND PACKAGED INTO A CASE QUANTITY OF SIX (6).
- FOR REFERENCE ONLY: DAYCO P/N 193-J04294900

CUSTOMER APPROVAL	
REQUIRED	
<small>THIS DOCUMENT MUST BE REVIEWED FOR CONFORMANCE, SIGNED, DATED AND RETURNED TO RACOR PROMPTLY</small>	
SIGNATURE _____	DATE _____

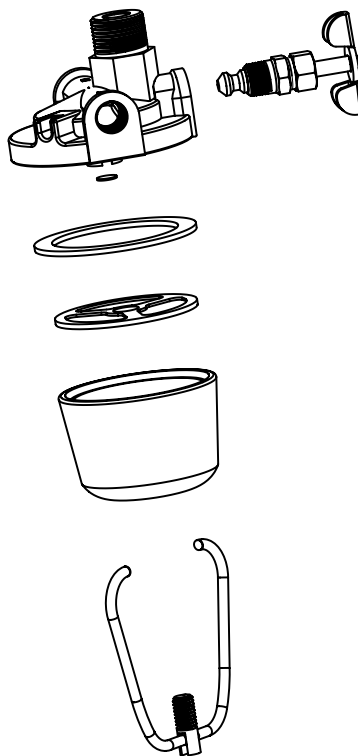
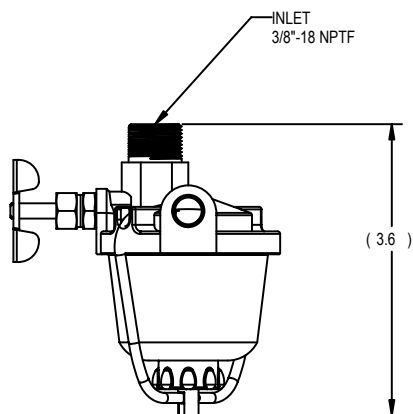
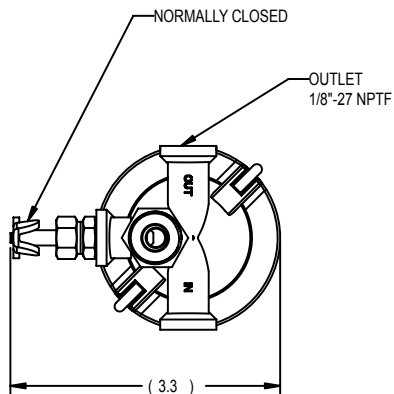
CUSTOMER INTERFACE DRAWING

REVISE ONLY ON ProE SYSTEM		QUANTITY REQD	PART NUMBER	DESCRIPTION	ITEM NO.
<small>THIS PRINT SUPERSEDES ANY EARLIER DATE. DESTROY SAME</small>					
<small>THIS PRINT AND ALL INFORMATION THEREIN IS OUR PROPERTY. IS CONFIDENTIAL AND MUST NOT BE MADE PUBLIC OR COPIED UNLESS AUTHORIZED BY US. THIS PRINT IS SUBJECT TO RETURN ON DEMAND.</small>		PARTS LIST			
<small>UNLESS OTHERWISE SPECIFIED: DIMENSIONS ARE IN INCHES</small>					
<small>TOLERANCES</small>		FUEL FILTER			
<small>DECIMAL ANGULAR</small>		SIZE	CODE IDENT NO.	DWG. NO.	REV
<small>XXX ± ±</small>		C	55752	035-RAC-193_CID	-
<small>XXX ± ±</small>		SCALE	RELEASE DATE	SHEET	OF
<small>DO NOT SCALE DRAWING</small>		1.000	091702	1	1

Rev - Ver - 1 Lev - WIP

Customer Interface Drawing

REVISIONS					
LTR	DESCRIPTION	E. N.	DATE	DRN	CHK
-	DRAWING RELEASE	----	091702	SC	RH



NOTES: UNLESS OTHERWISE SPECIFIED-

- DIMENSIONS GIVEN REPRESENT NOMINAL VALUES AND ARE FOR REFERENCE ONLY.
- SPECIFICATIONS:
 - HEAD: ZINC/ALUMINUM ALLOY WITH BRASS PRESSED IN FLOW DIVERTER.
 - BOWL: HEAT RESISTANT GLASS.
 - MEDIA: SCREEN NYLON, 116 MICRON.
 - GASKET: BLACK FLUORO CARBON (FKM)
 - VALVE: DOUBLE SHUT-OFF VALVE ASSEMBLY HOUSING AND STEM:BRASS
- PACKAGING: STANDARD IS SINGLE CARTON OR DIVIDER AND PACKAGED INTO A CASE QUANTITY OF SIX (6).
- FOR REFERENCE ONLY: DAYCO P/N 194-J04349400

CUSTOMER APPROVAL REQUIRED	
<small>THIS DOCUMENT MUST BE REVIEWED FOR CONFORMANCE, SIGNED, DATED AND RETURNED TO RACOR PROMPTLY</small>	
SIGNATURE	DATE

CUSTOMER INTERFACE DRAWING

REVISE ONLY ON ProE SYSTEM

THIS PRINT SUPERSEDES ANY EARLIER DATE. DESTROY SAME

THIS PRINT AND ALL INFORMATION
THEREIN IS OUR PROPERTY, IS
CONFIDENTIAL AND MUST NOT BE
MADE PUBLIC OR COPIED UNLESS
AUTHORIZED BY US. THIS PRINT
IS SUBJECT TO RETURN ON DEMAND.

MATERIAL:

FINISH:

NEXT ASSY FIRST USED ON

APPLICATION

QUANTITY REQD	PART NUMBER	DESCRIPTION	ITEM NO.
PARTS LIST			
DRAWN S. CARRILLO 091702		 <small>PARKER HANNIFIN CORPORATION RACOR DIVISION P.O. BOX 3658 MODESTO, CA 95353</small>	
CHECK RE HAMILTON 091702			
DESIGN J.JENKINS 091702			
		TITLE FUEL FILTER	
UNLESS OTHERWISE SPECIFIED: DIMENSIONS ARE IN INCHES			
TOLERANCES			
DECIMAL		ANGULAR	
.XXX ±		±	
.XXX ±		FRACTIONAL	
		±	
DO NOT SCALE DRAWING	SCALE C	CODE IDENT NO. 55752	REV -
	RELEASE DATE 091702	DWG. NO. 035-RAC-194_CID	SHEET 1 OF 1

Rev - 0 - Lev - 0 - WIP